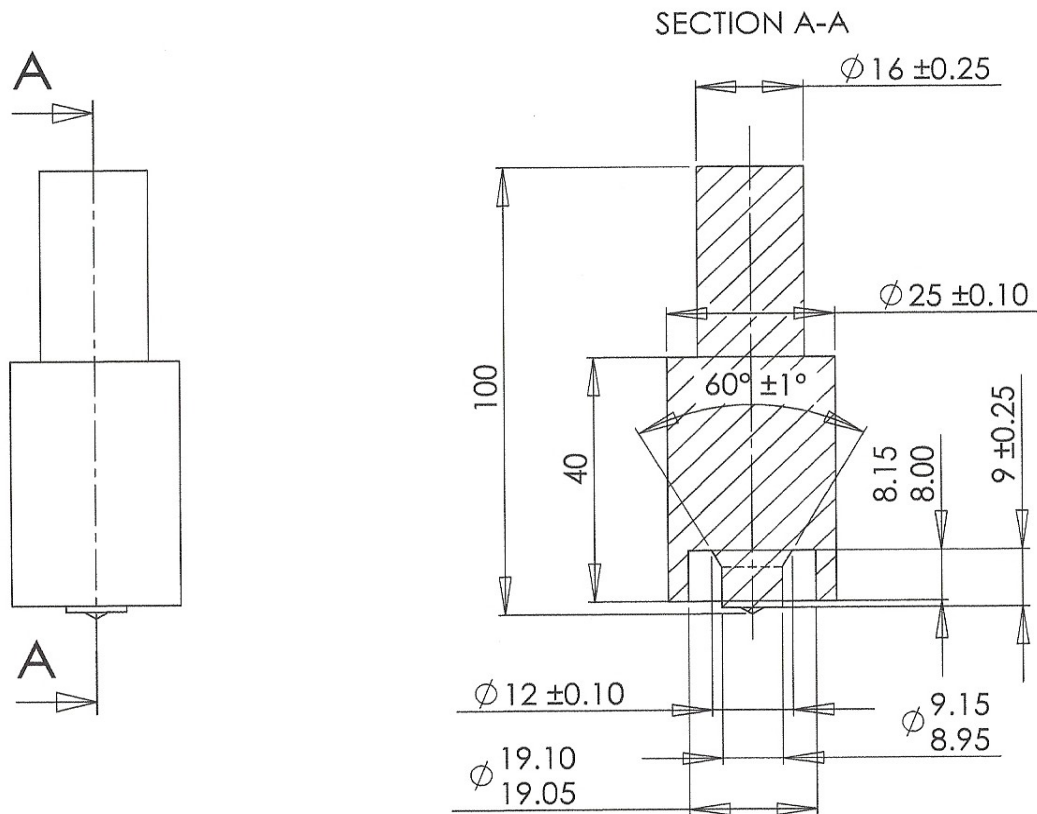


# Special Tools Template

## FORM TOOL



MAT'L Being Cut: \_\_\_\_\_

Coated: Y / N \_\_\_\_\_

Tool Material: HSS / HSSCo / Carbide

Note : Cross out and replace example  
Dimensions with your own requirements >

Fill in your requirements Fax  
back to:

01235 257770

or e-mail to:

[sales@tbsoxford.co.uk](mailto:sales@tbsoxford.co.uk)

# TBS Oxford

TBS OXFORD Ltd 3 Sarajac Avenue, East Challow, Wantage, OX12 9SA

Tel: 01235 355507 Fax: 01235 257770

E-mail: [sales@tbsoxford.co.uk](mailto:sales@tbsoxford.co.uk) Web: [www.tbsoxford.co.uk](http://www.tbsoxford.co.uk)