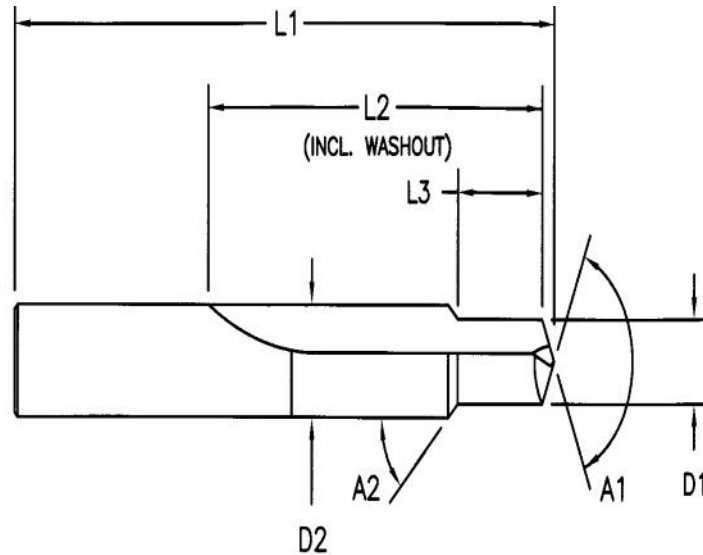


# Special Tools Template

## STEP DRILL - STRAIGHT FLUTE



D1: \_\_\_\_\_ TOL: \_\_\_\_\_

D2: \_\_\_\_\_ TOL: \_\_\_\_\_

L1: \_\_\_\_\_

L2: \_\_\_\_\_

L3: \_\_\_\_\_

A1 DRILL POINT ANGLE: \_\_\_\_\_

A2 STEP ANGLE (PER SIDE): \_\_\_\_\_

COATING: \_\_\_\_\_

COOLANT FED (Y / N): \_\_\_\_\_

MAT'L BEING CUT: \_\_\_\_\_

Fill in your requirements & Fax back to:

**01235 257770**

or e-mail to:

**sales@tbsoxford.co.uk**

# TBSOxford

TBS OXFORD Ltd 3 Sarajac Avenue, East Challow, Wantage, OX12 9SA

Tel: 01235 355507 Fax: 01235 257770

E-mail: sales@tbsoxford.co.uk Web: www.tbsoxford.co.uk